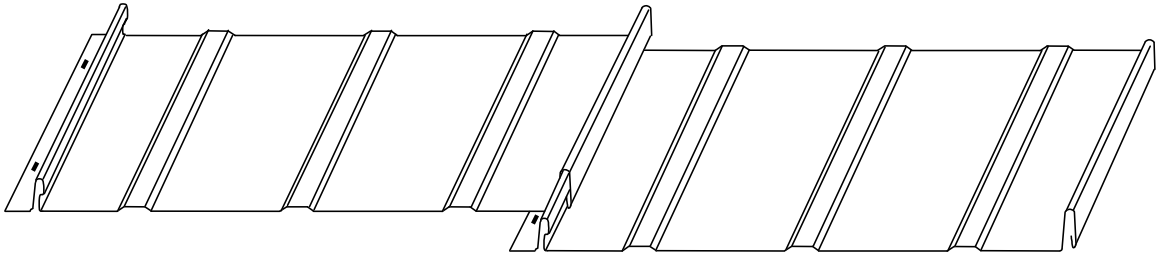


BRIDGE & SUPPLY COMPANY

400 Stoney Creek Drive, P.O. Box 151, Sandusky, MI 48471 (810) 648-3000, Fax: (810) 648-3549
3520 36th St., S.E., Grand Rapids, MI 49512 (616) 940-2660, Fax: (616) 940-0169
9610 County Rd. Fourteen, Wauseon, OH 43567 (419) 335-3200, Fax: (419) 335-3201

SLR (Standing Loc Rib)

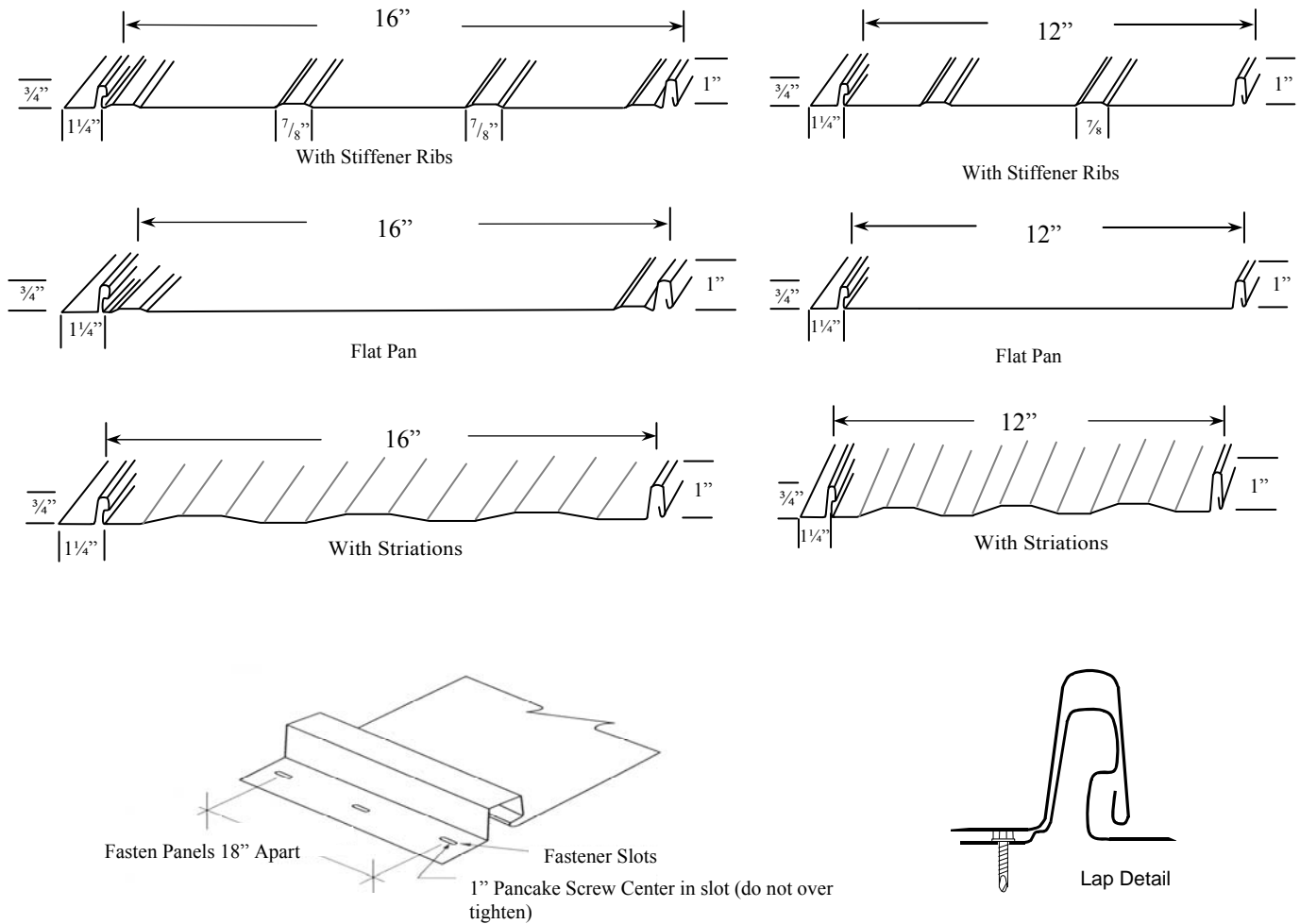
CUSTOM LENGTH CONCEALED FASTENER PANEL



- Architectural/Residential Standing Seam Panel
- Nail Strip Panel System
- Concealed Fasteners
- Available in Lengths 2' - 30'
- 12" or 16" Panel Coverage, 1" Rib Height
- Gauges: 29GA, 26GA & 24GA
- Available in Glossy & Low Gloss Finish
- Available in Flat Pan, Striated or with Stiffener Ribs
- Minimum Roof Slope: 3:12
- Pre-cut Slots for Pancake Screws
- Applies over Solid Substrate
- Available Finishes Include Fluoropon, Siliconized Polyester and Bare Galvalume™
- Panels Cannot be End Lapped

STANDING LOC RIB

TECHNICAL INFORMATION



PAINT FINISH: AkzoNobel Ceram-A-Star 1050

Siliconized Polyester paint (29GA or 26GA Glossy) features a 45 year warranty with:

Top Coat: .2 Mils Yellow Ultra Flex Primer, .8 Mils Siliconized Polyester
Bottom Coat: .2 Mils Yellow Ultra Flex Primer, .3 Mils Polyester Backer

(26GA Low Sheen or 24GA Glossy) features a 35 year warranty with:

Top Coat: .2 Mils DFT Primer, .8 Mils DFT Top Coat
Bottom Coat: .2 Mils DFT Primer, .3 Mils DFT Backer

PERFORMANCE PROPERTIES:

ASTM D 3361 Accelerated Weathering — No more that #8 rating after 1,000 hours.
ASTM B 117 Salt Spray — No more than #7 rating, 1/16" (2mm), after 1,000 hours.
ASTM D 2247 Humidity — No more that #10 rating, no blisters, after 2,000 hours.
ASTM D 3363 Pencil Hardness — HB—2H minimum.
ASTM E 84 Flame Test — Class A coating